

TOSHIBA BIPOLAR LINEAR INTEGRATED CIRCUIT SILICON MONOLITHIC

TA7522S, TA7522F

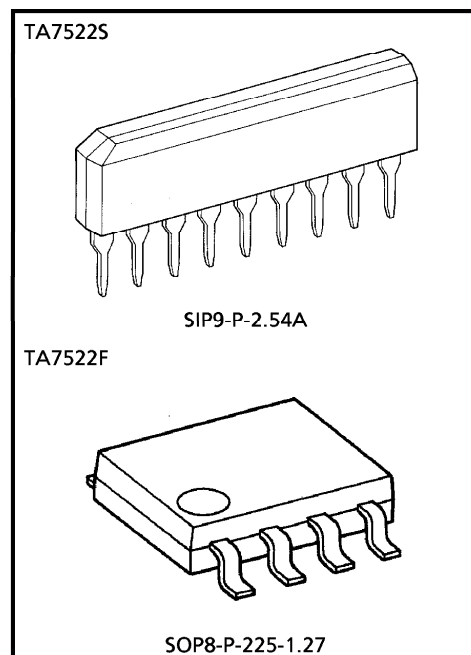
DUAL VOLTAGE COMPARATOR

The TA7522S, TA7522F is an easy-to-use small 9-pin single in-line package IC incorporating two voltage comparator circuits.

Since one channel has an inverted-output buffer, a CR oscillator can be easily built up. In addition, the IC has so wide an operating temperature range that it can be used in wide application fields.

FEATURES

- Two-circuit package
- High gain
- Single 3V power supply for operation
- Inverted-output also available
- A 0V input causes action in the IC with a single power supply.
- Wide common-mode input range
- No latch-up
- Operating temperature range : from -40 to 85°C
- Open-collector output
- SIP-9 pin (TA7522S)
- Small SOP-8 pin (TA7522F)



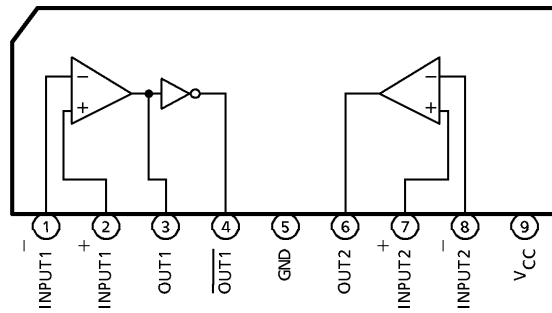
Weight
SIP9-P-2.54A : 0.92g (Typ.)
SOP8-P-225-1.27 : 0.08g (Typ.)

980910EBA1

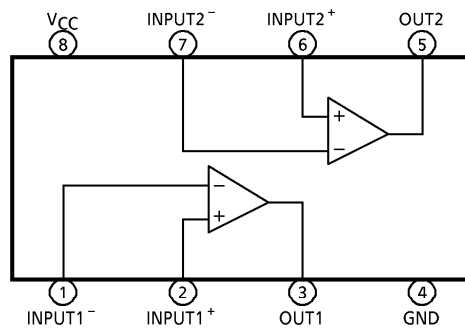
- TOSHIBA is continually working to improve the quality and the reliability of its products. Nevertheless, semiconductor devices in general can malfunction or fail due to their inherent electrical sensitivity and vulnerability to physical stress. It is the responsibility of the buyer, when utilizing TOSHIBA products, to observe standards of safety, and to avoid situations in which a malfunction or failure of a TOSHIBA product could cause loss of human life, bodily injury or damage to property. In developing your designs, please ensure that TOSHIBA products are used within specified operating ranges as set forth in the most recent products specifications. Also, please keep in mind the precautions and conditions set forth in the TOSHIBA Semiconductor Reliability Handbook.
- The products described in this document are subject to the foreign exchange and foreign trade laws.
- The information contained herein is presented only as a guide for the applications of our products. No responsibility is assumed by TOSHIBA CORPORATION for any infringements of intellectual property or other rights of the third parties which may result from its use. No license is granted by implication or otherwise under any intellectual property or other rights of TOSHIBA CORPORATION or others.
- The information contained herein is subject to change without notice.

BLOCK DIAGRAM AND PIN LAYOUT

TA7522S



TA7522F



Note : The TA7522S and TA7522F are the same chip, except that they are housed in different packages.

PIN DESCRIPTION

PIN No.		SYMBOL	DESCRIPTION
TA7522S	TA7522F		
1	1	INPUT1 ⁻	Inverted-input pin
2	2	INPUT1 ⁺	Non-inverted-input pin
3	3	OUT1	Output pin corresponding to INPUT1
4	—	$\overline{\text{OUT1}}$	Output pin for inversion of OUT1
5	4	GND	Grounded
6	5	OUT2	Output pin corresponding to INPUT2
7	6	INPUT2 ⁺	Non-inverted-input pin
8	7	INPUT2 ⁻	Inverted-input pin
9	8	V _{CC}	Power supply pin

MAXIMUM RATINGS (T_a = 25°C)

CHARACTERISTIC	SYMBOL	RATING	UNIT
Supply Voltage	V _{CC}	-0.3 to +18	V
Supply Voltage Surge	V _{CC SURGE}	+30 (within 1 second)	V
Power Dissipation	P _D	500 / 440	mW
Differential Input Voltage	DV _{IN}	±18	V
Input Voltage	V _{IN}	-0.3 to +18	V
Output Current	I _{SINK}	30	mA
Operating Temperature	T _{opr}	-40 to +85	°C
Storage Temperature	T _{stg}	-55 to +150	°C

(Note) P_D : TA7522S / TA7522F

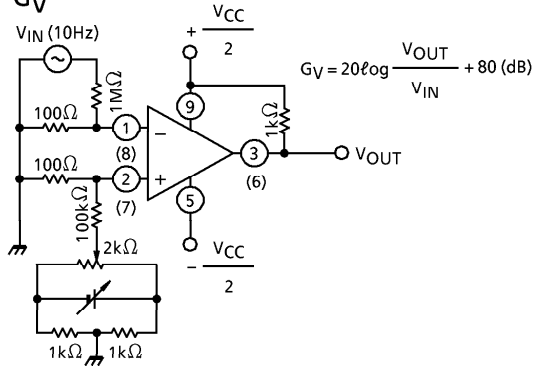
ELECTRICAL CHARACTERISTICS (Ta = -40 to +85°C)

CHARACTERISTIC	SYMBOL	TEST CIR-CUIT	TEST CONDITION	MIN.	(Note) TYP.	MAX.	UNIT
Voltage Gain	G _V	1	V _{CC} = 6V, R _L = 1kΩ f = 10Hz, test circuit 1	60	95	—	dB
Input Offset Voltage	V _{IO}	2	V _{CC} = 6V, R _L = 1kΩ CMV _{IN} = 3V, test circuit 2	—	2	10	mV
Input Bias Current	I _I	3	V _{CC} = 6V, CMV _{IN} = 3V test circuit 3	—	-0.2	-2	μA
Input Offset Current	I _{IO}	3	Same as above	—	0.02	0.3	μA
Common-mode Input Voltage	CMV _{IL}	4	V _{CC} = 6.5V, R _L = 1kΩ V _{IO} = 20mV, test circuit 4	—	-0.5	0	V
	CMV _{IH}		Same as above	5.0	5.3	—	V
Zero Output Voltage	V _{OL}	OUT1 OUT2	V _{CC} = 5.5V, V _{IN} = 0.1V I _{OL} = 10mA, test circuit 5	—	0.18	0.4	V
		$\overline{\text{OUT1}}$	V _{CC} = 5.5V, V _{IN} = 0.1V, I _{OL} = 15mA, V _{OL} (out1) ≥ 2V, test circuit 5	—	0.25	0.4	V
Output Leakage Current	I _{LEAK}	OUT1 OUT1 OUT2	V _{CC} = 6V, V _{OUT} = 30V test circuit 6	—	—	10	μA
		OUT1	V _{CC} = 6V, V _{OUT} = 0.4V test circuit 6	—	-1.5	-10	μA
Current Consumption	I _{CC}	7	V _{CC} = 6.5V, R _L = ∞ test circuit 7	—	3	7	mA

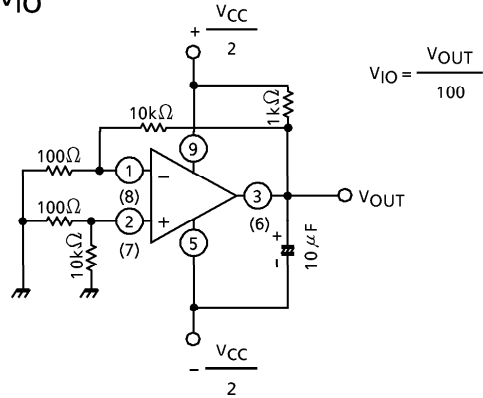
Note : An ambient temperature of 25°C is assumed for the typical values.

TEST CIRCUIT (Shown below is an example for the TA7522S. For the TA7522F, note that the pin numbers are different.)

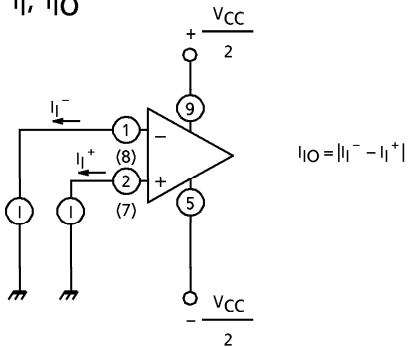
1. G_V



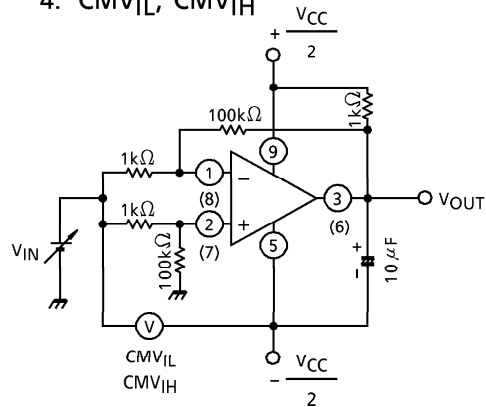
2. V_{IO}



3. I_I, I_{IO}



4. CMV_{IL}, CMV_{IH}

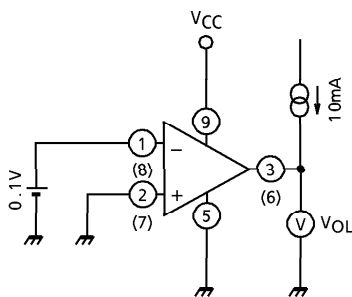


CMV_{IL} : Input voltage relative to pin 5 as it is obtained when V_{IN} is decreased until output V_{OUT} becomes $\pm 2V$.

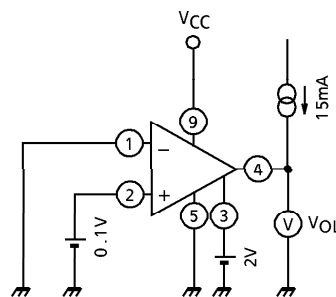
CMV_{IH} : Input voltage relative to pin 5 as it is obtained when V_{IN} is increased until output V_{OUT} becomes $\pm 2V$.

5. V_{OL}

5.1 OUT1, OUT2

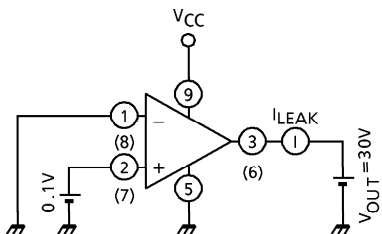


5.2 $\overline{OUT1}$

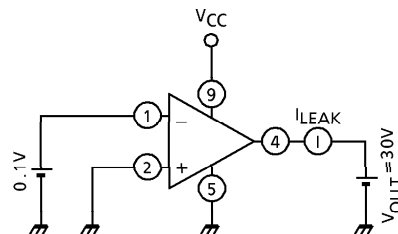


6. I_{LEAK}

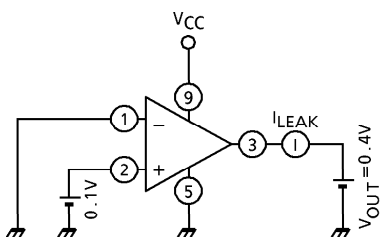
6.1 OUT1, OUT2



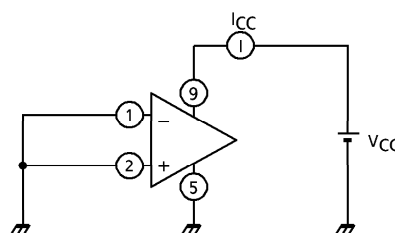
6.2 $\overline{OUT1}$



6.3 OUT1

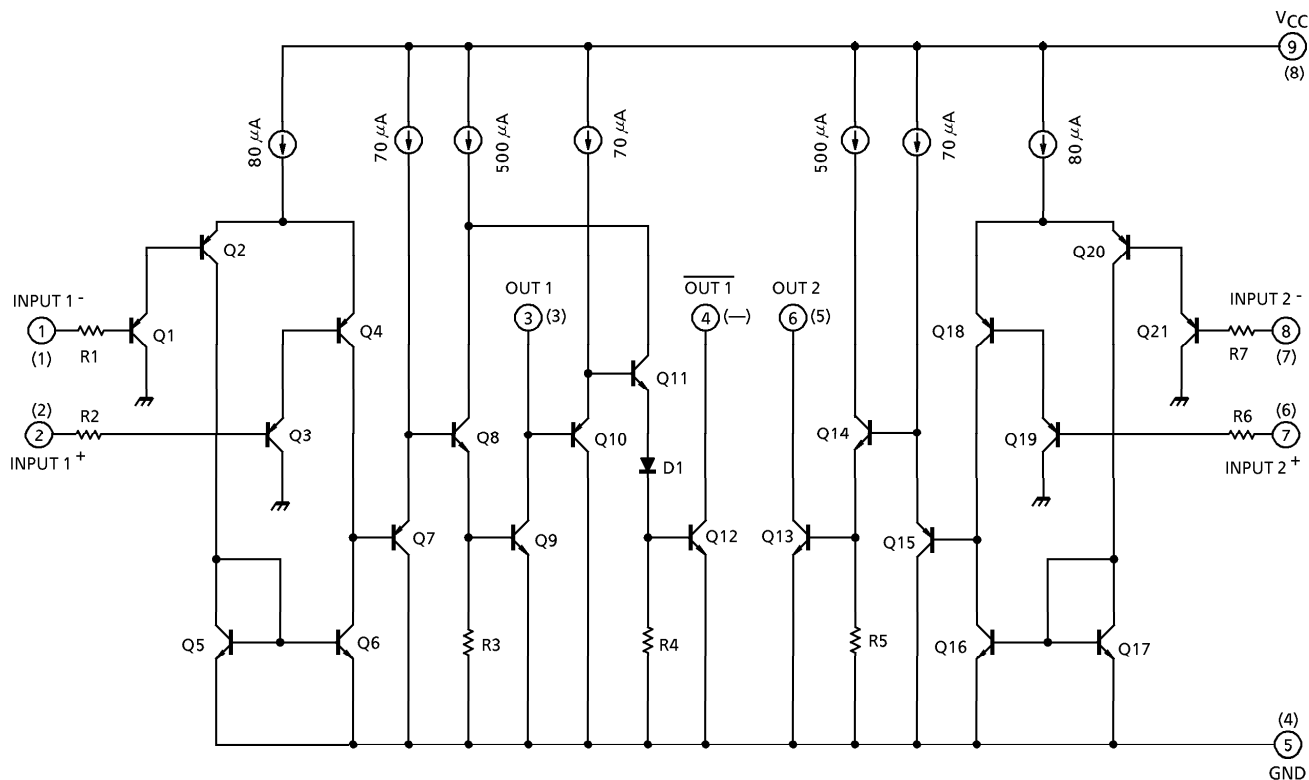


7. I_{CC}



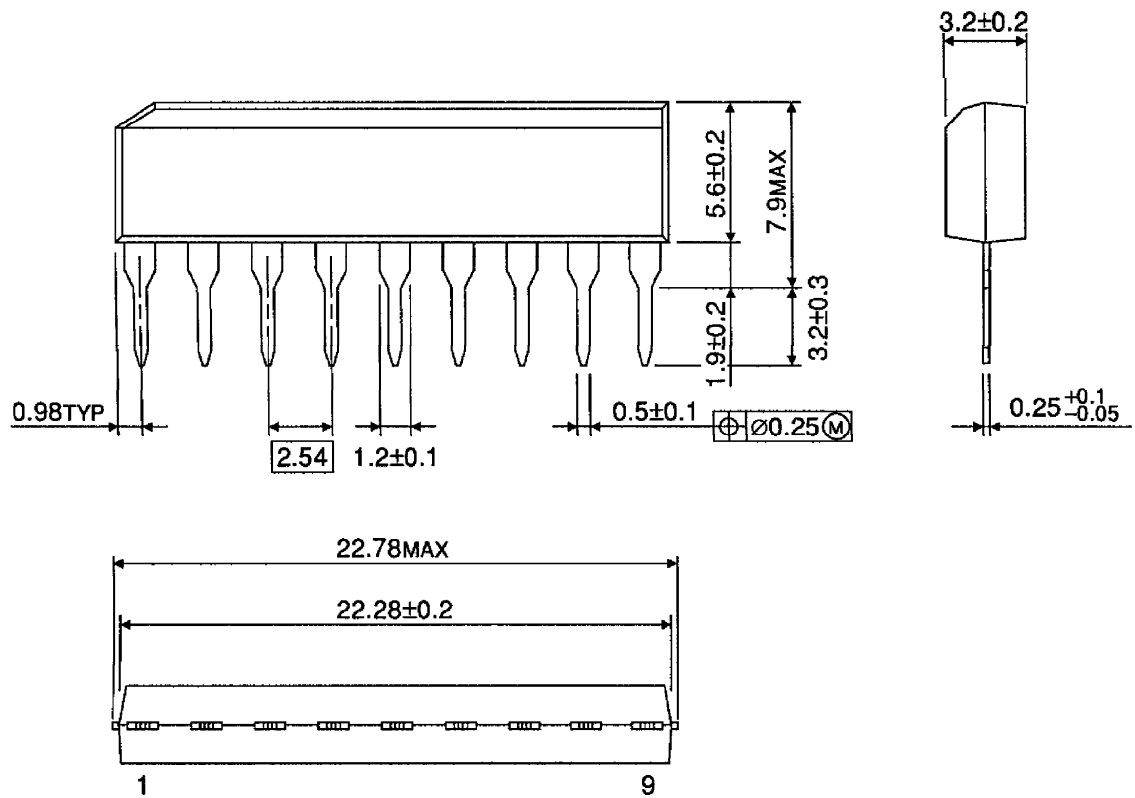
All inputs are grounded.

EQUIVALENT CIRCUIT (The pin numbers are explained in order of the TA7522S and the TA7522F.)



OUTLINE DRAWING
SIP9-P-2.54A

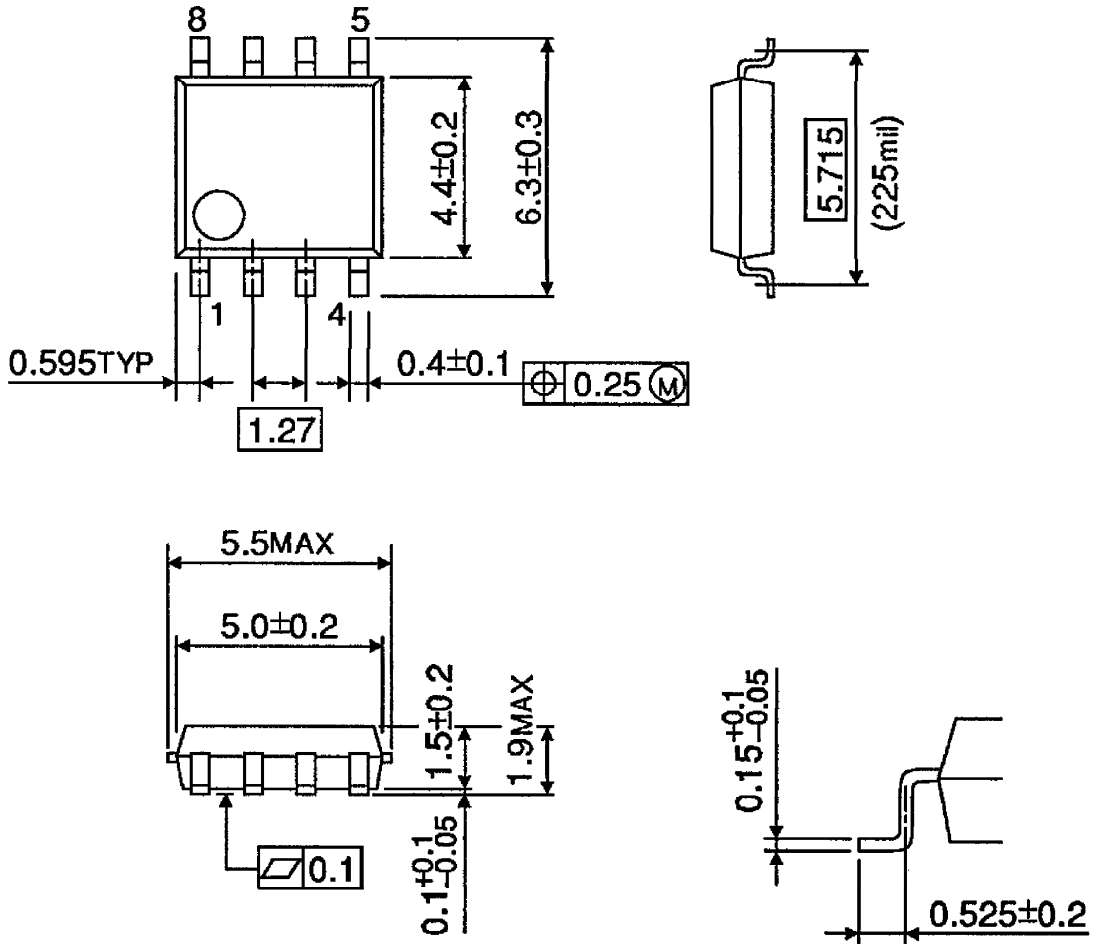
Unit : mm



Weight : 0.92g (Typ.)

OUTLINE DRAWING
SOP8-P-225-1.27

Unit : mm



Weight : 0.08g (Typ.)